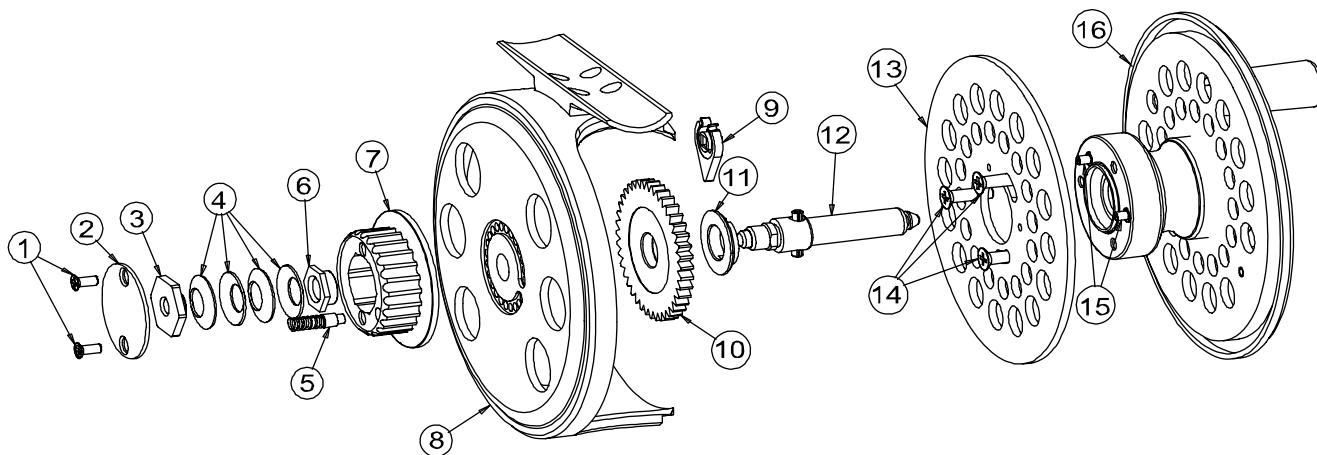


Changing the Direction of the Retrieve on a Cimarron Reel

CHANGING THE DIRECTION OF THE RETRIEVE (APPLIES TO SIZES 1-4)

1. Remove the line from the Spool (13-16).
2. Remove the Spool (13-16) from the Frame (8).
3. Using a #1 Phillips screwdriver loosen the three Spool Flange Screws (14) on the bottom side of the Spool Flange (13) far enough to allow the Spool Flange (13) to be repositioned over the other One-Way Plunger (15).
4. Re-tighten the three Spool Flange Screws (14) and replace the Spool (13-16) on the Frame (8).

NOTE: If the inside One-Way Plunger (15) is exposed, the reel is set for right hand retrieve; if the outer One-Way Plunger (15) is exposed, the reel is set for left hand retrieve. When changing the direction of the retrieve, the direction in which the backing and line are wound onto the Spool (13-16) must be reversed. When viewing the outer face of the Spool (13-16), the backing and line should be wound on in a clockwise direction for left hand retrieve and in a counterclockwise direction for right hand retrieve.



1	DRAG KNOB CAP SCREWS (2)	9	CLICKER (2 PIECE)
2	DRAG KNOB CAP	10	DRAG DISK
3	DRAG NUT	11	THRUST WASHER
4	BELLEVILLE SPRING WASHERS	12	SPINDLE ASSEMBLY
5	DETENT PLUNGER ASSEMBLY	13	SPOOL FLANGE
6	SPINDLE NUT	14	SPOOL FLANGE SCREWS
7	DRAG KNOB	15	ONE-WAY PLUNGERS (2)
8	FRAME	16	SPOOL FACE ASSEMBLY