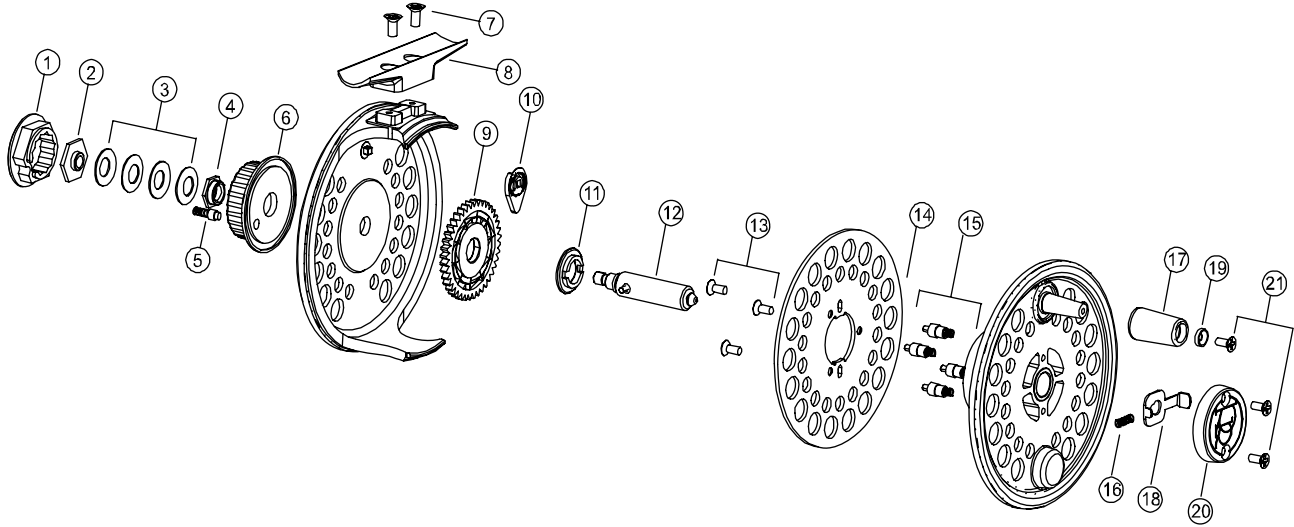


Cleaning Care for Your Flywater Reel (2004 - 2006 Model)

CLEANING INSTRUCTIONS FOR YOUR FLYWATER REEL (2004 - 2006)

The Flywater series is fully coated, making it ideal for use in most fishing conditions.

When cleaning the reel, the drag should be fully disengaged – Drag Knob (6) rotated counterclockwise until the stopping position is reached. Use fresh water to flush debris from the drag system. For better cleaning results, separate the spool from the frame, soak in warm fresh water and then rinse in fresh running water. Complete dry the spool and the frame before storing the reel.



1	DRAG KNOB COVER	12	SPINDLE ASSEMBLY
2	DRAG NUT	13	FLANGE SCREWS
3	DISC SPRING (BELLEVILLE)	14	SPOOL FLANGE
4	SPINDLE NUT	15	ONE-WAY PLUNGER
5	DETENT PLUNGER ASSEMBLY	16	SPOOL RELEASE SPRING
6	DRAG KNOB	17	HANDLE
7	FOOT SCREWS	18	SPOOL RELEASE
8	FOOT	19	HANDLE RETAINER
9	DRAG DISC	20	SPOOL CAP
10	CLICKER (TWO PIECE)	21	HANDLE & CAP RETAINER SCREWS
11	THRUST WASHER		